

DATA SHEET LCE30MSL

General Information

This series is a high-performance street lighting available in four sizes. The luminaire is manufactured from high pressure die-casting aluminum. Ultra clear tempered glass and PC lens. It shall have a led efficacy up to 160 lm/w and will be capable of producing up to 4800 luminaire lumens at 4000K finished in Grey or black as standard.

Materials

Streetlight manufactured entirely in aluminum-casting, with a classic and recognizable design of high-quality construction.

Product Benefits

Energy savings to high system efficacy: Up to 160 lm/W. High quality aluminum housing. Luminaire designed for easy maintenance. Professional optics with wide beam angle of 75° x 150°. High IP rating on luminaire front side. Low maintenance and operation costs due to long lifetime of LED. Good color consistency. Good color rendering.



LCE sh.p.k

+383 48 552 444

www.lce.si

info@lce.si

Kosovë - Prishtinë, 10000

All technical data including details of weight and dimensions have been compiled with all due care. Errors excepted. Product illustrations serve as examples and may differ from the original. We reserve the right to make alterations in the interest of improving our products.

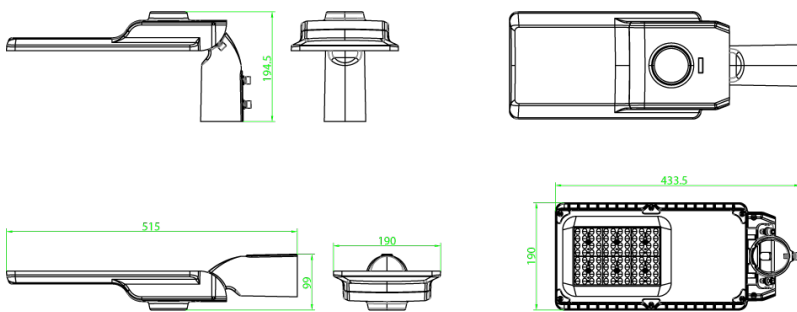
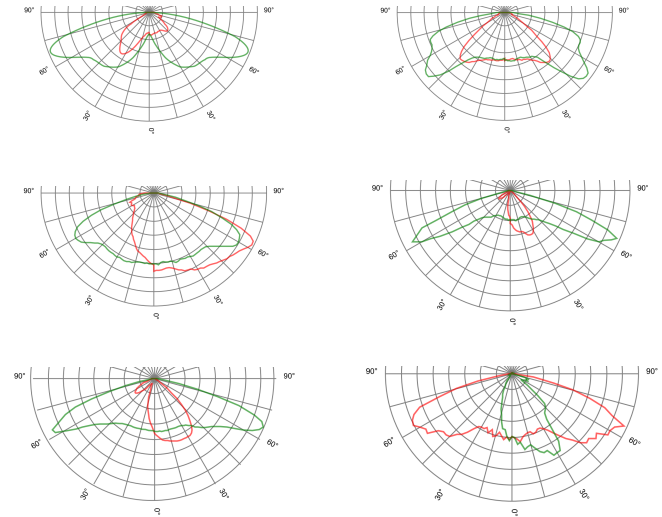




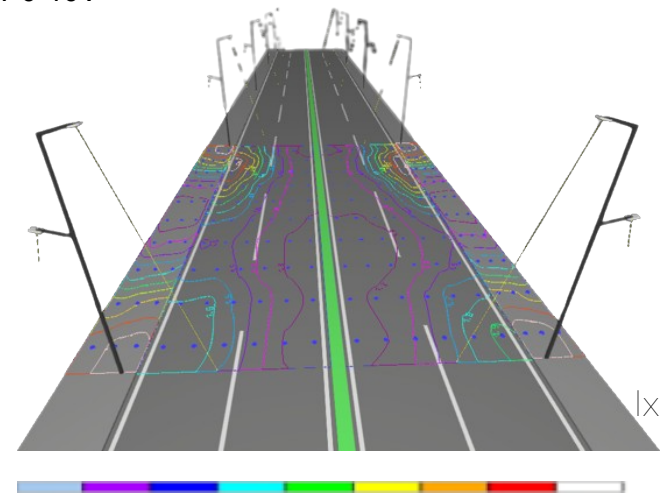
Product Specification

Input Wattage	30 W
Color Temperature	2800-6500K
Luminous Flux	4800 LM
Input Voltage	AC90-305V
Frequency Range	50/60Hz
Power Factor	PF≥0.95
Color rendering index	Ra≥70
Temperature of working condition	-40 °C +60 °C
Humidity of working condition	20%-90%RH
LED Lifetime	100000h
Protection Grade	IP66
Installation Pipe Diameter	Ø60mm
Installation Height	4-8m
Net Weight	3.0kgs
Packing Size(mm)	570×200×100
Impact resistance	IK 08
Warranty	5 - 10 YEARS
Certification	CE, RoHs, ENEC
Angle of movement of the arm of the light body	0° to +15°, 0° to -15°
Surge Protector Device	10KV
Optional	Time Dimming/SMART 0-10V

Photometric Data



Line Drawing
L:515 W:190 H:99



Photometric Calculation



LCE sh.p.k
 +383 48 552 444
 www.lce.si
 info@lce.si
 Kosovë - Prishtinë, 10000

All technical data including details of weight and dimensions have been compiled with all due care. Errors excepted. Product illustrations serve as examples and may differ from the original. We reserve the right to make alterations in the interest of improving our products.



UPDATED: 2024